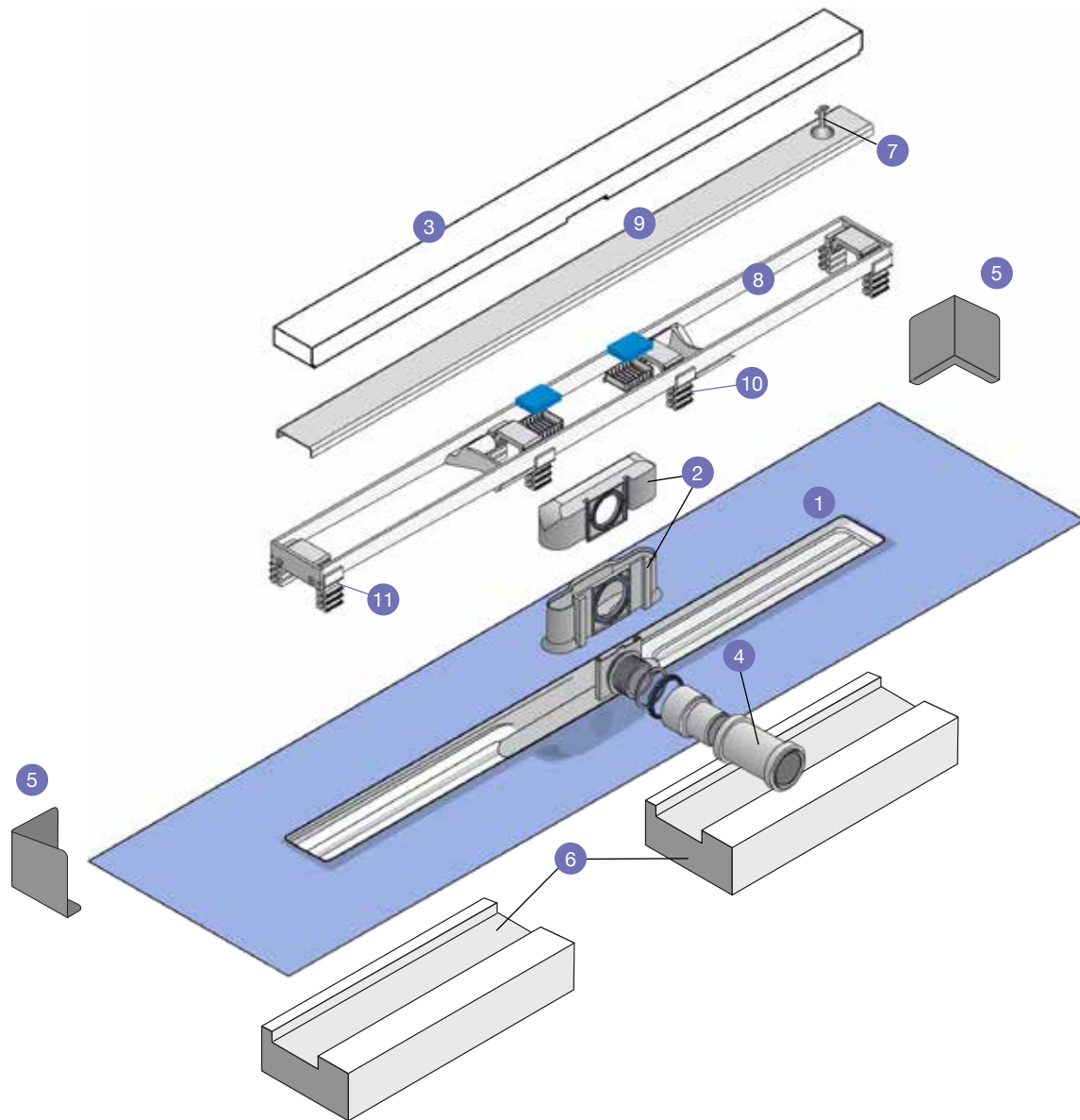


# J-DRAIN LINEAR

## How to install in solid and timber floors

In Conjunction with **JACKOBOARD** single fall Sloping Boards and **JACKOBOARD** Plano **Wall and Floor Boards** to create minimalist level entry showers



## System Components

- 1 ABS drain with pre-bonded waterproof membrane
- 2 Water Trap/Siphon  
(Note: When assembling, ensure that pieces are inserted correctly, ie the word 'Top' being visible from above)
- 3 Tile Guide/debris protector
- 4 Threaded drainage pipe connector (40mm/1.5")
- 5 2 x PVC corner seals
- 6 2 x polystyrene support blocks
- 7 Grate lifter
- 8 Grate frame
- 9 Grate (reversible for tiling if required)
- 10 16 x riser blocks 5mm
- 11 8 x riser blocks 2.5mm

# Planning and Preparation

Prior to purchasing your **J-DRAIN Linear** you should have carefully thought about your desired shower room layout and decided the best route for your waste pipe from the **J-DRAIN Linear** body. If you haven't then now is the time to do so!

## JACKOBOARD Sloping Boards

**JACKOBOARD** Sloping Boards are single fall boards specially designed to work with **J-DRAIN Linear**.

They are available in three sizes: 1000mm x 1000mm sloping from 20mm to 7mm, 1200mm x 900mm sloping from 20mm to 8mm and 1600mm x 1000mm sloping from 25mm to 7mm. They avoid the time-consuming and messy process of setting a screed to a fall and are easily trimmed to size.

## Waterproofing the walls and floors

Before installing the **J-DRAIN Linear** and the **JACKOBOARD** Sloping Board we strongly recommend lining the walls in the immediate shower area with **JACKOBOARD** Plano Wall Boards and sealing all joints with **JACKOBOARD** Waterproof Sealing Tape.

This will give you a totally waterproof showering area with the complete peace of mind this brings. Separate installation guides for this are available from Jackon UK on request.

## Heights and levels

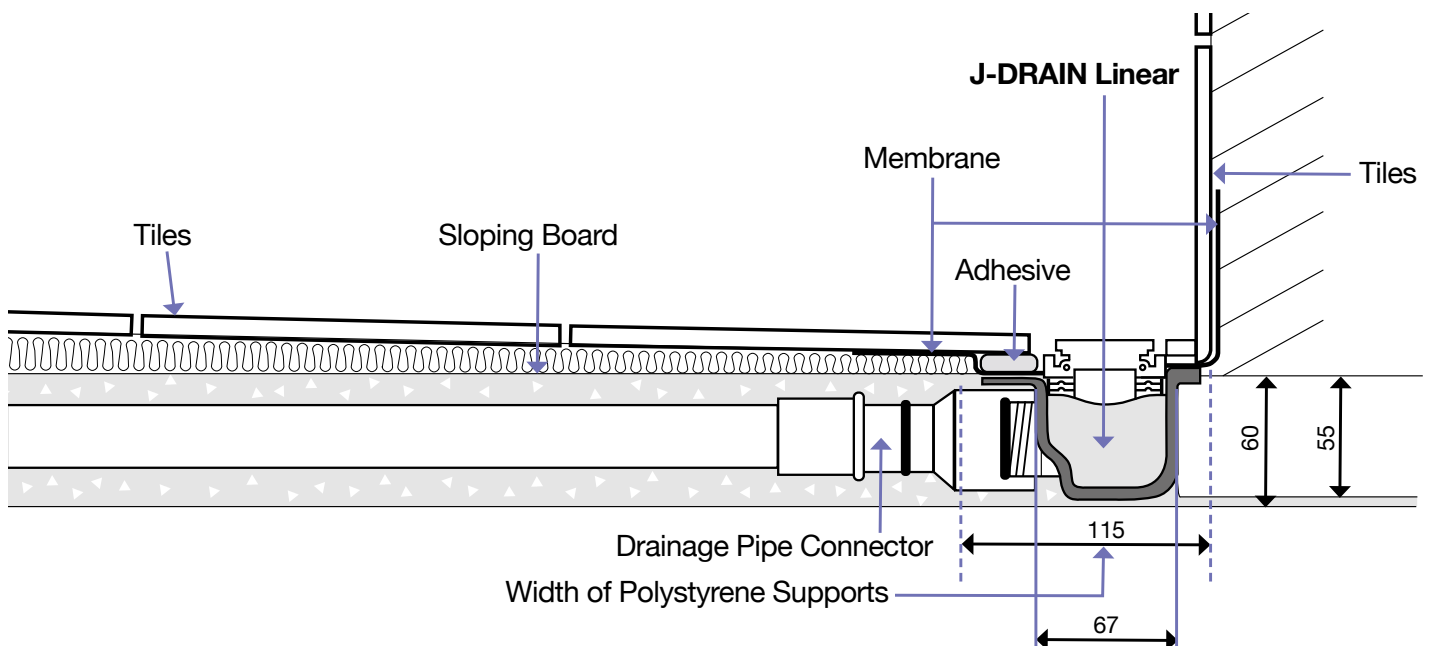
If you decide to create the fall on the solid floor with **JACKOBOARD** Sloping Boards you might wish to overlay the rest of the floor with **JACKOBOARD** Plano Boards to create a level access.

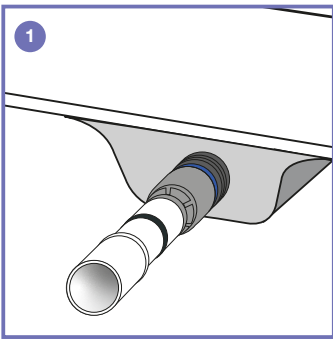
You can achieve this by laying either 20mm board or a combination of 20mm and 4mm Plano Board around the Sloping Board.

Alternatively, the Sloping Board can be recessed into the solid floor, but care must be taken to avoid any obstructions such as underfloor heating pipes etc.

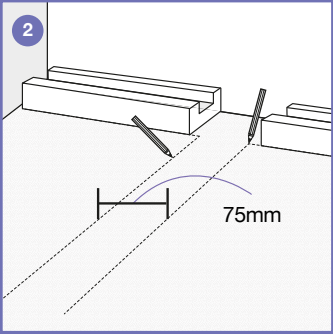
## Installing the J-DRAIN Linear

## Solid Floors

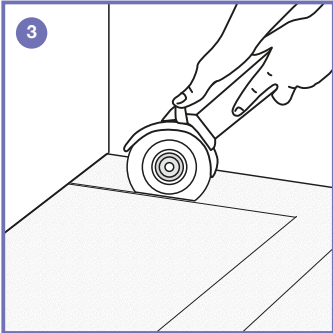




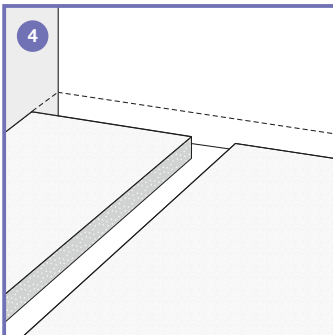
1. Screw the threaded drainage pipe connector to the protruding inner spigot.



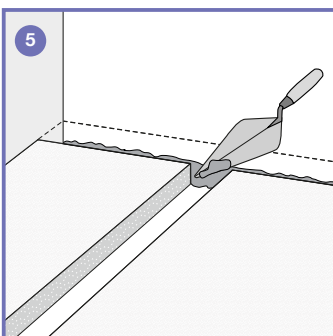
2. Position the Polystyrene installation supports against the wall and draw around them. Also, indicate the drain position.



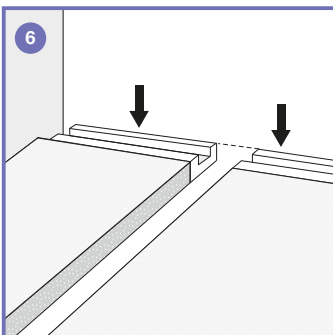
3. Remove the installation supports and following the lines drawn cut a channel for the drain to a depth of 60mm.



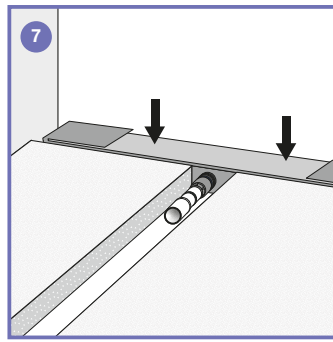
4. Now cut a channel from the drain position indicated deep enough to take a 1.1/2" BSP waste pipe to a suitable exit point. Make sure you allow for a suitable fall in this pipe (3%).



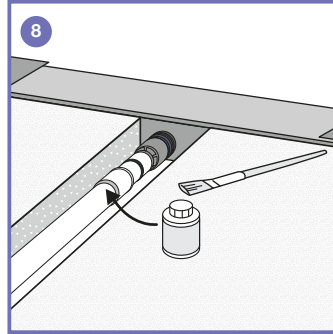
5. Lay a bed of cement-based flexible tile adhesive in the recess cut for the drain body.



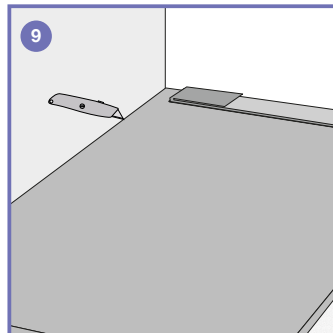
6. Press the Polystyrene installation supports into this recess. Use a spirit level to check the supports are level – and remember that the drain body when installed must be flush with the surrounding solid floor. Allow the adhesive to cure.



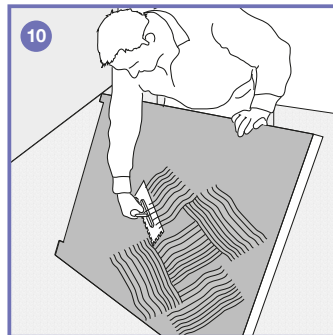
7. Carefully place the drain body into the Polystyrene installation supports.



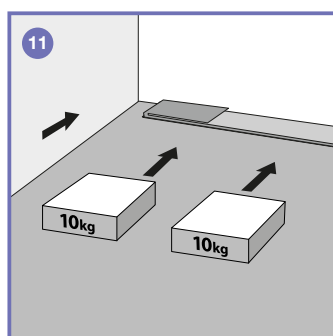
8. Bond the drainage pipe connector to the waste pipe using a suitable solvent weld.



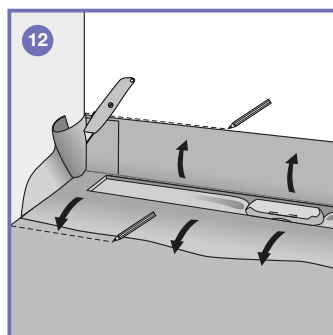
9. Now trim the **JACKBOARD Sloping Board** to the correct size and shape and as snug to the membrane as possible.



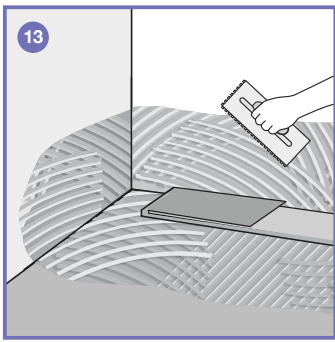
10. Make sure the solid floor is dry, clean and free of any surface contamination. Comb out a continuous layer of cement-based flexible tile adhesive to the underside of the Sloping Board using a 5mm notched spreader.



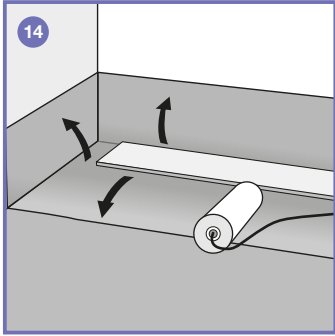
11. Carefully position the Sloping Board up to and around the drain flange and below the waterproof membrane and press firmly down. Place 10-20kg of weight evenly over the Board and allow the adhesive to cure.



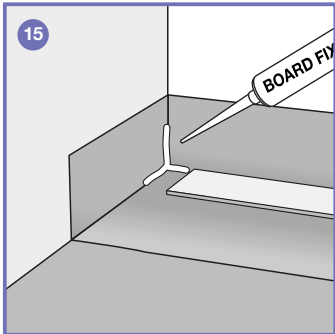
12. Fully unfold the waterproof membrane and draw around it against the walls and Sloping Board. Cut out the corners of the membrane.



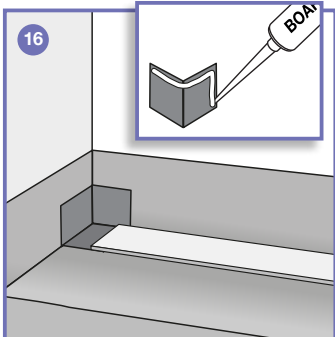
13. Comb out a layer of cement-based flexible tile adhesive to the limits of the waterproof membrane as drawn, filling any voids and maintaining the slope between the Sloping Board and the drain flange.



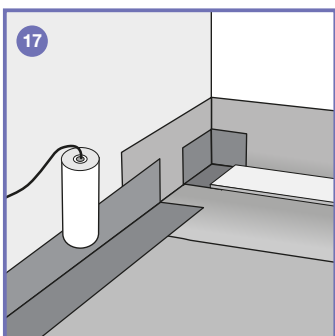
14. Press the waterproof membrane onto this adhesive bed, insert the Tile Guide, and roll it on for a firm adhesion.



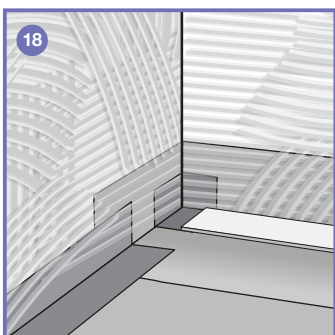
15. Apply **JACKOBOARD Board Fix Adhesive and Sealing Agent** to the corners of the Waterproof Membrane.



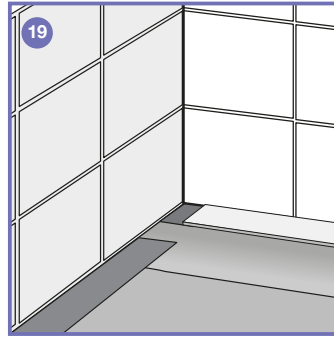
16. Apply **Board Fix Adhesive** to the backs of the PVC Corner Seals and bond them into position.



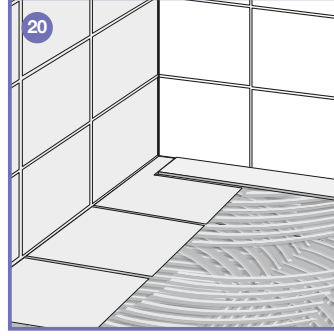
17. Now seal the joint between the Sloping Board and the previously applied **JACKOBOARD Plano Wall Boards** with an appropriate sealing system. This could be the **JACKOBOARD Waterproofing and Sealing Set** for example.



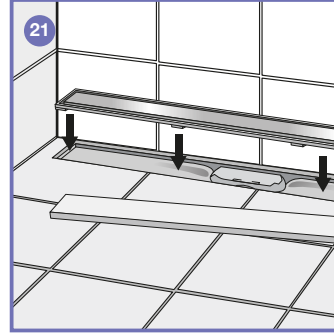
18. Protect the **Sloping Board** with a sheet of plywood (for example) and comb out a layer of cement-based flexible tile adhesive onto the wall boards with a 5mm notched spreader



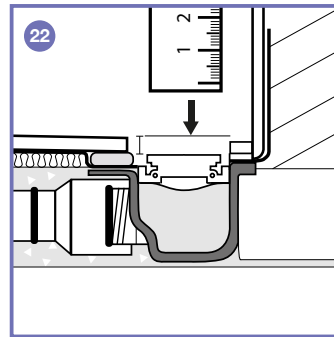
19. Tile the walls down to the **Sloping Board** and to the drain. Grout the tiles when the adhesive is cured



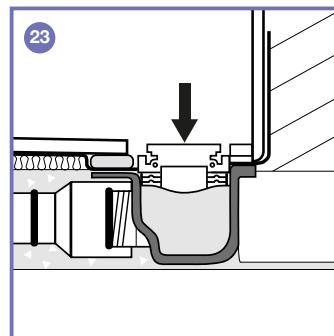
20. Comb out a layer of cement-based flexible tile adhesive onto the Sloping Board and fix the floor tiles up to, around and against the Polystyrene Tile Guide. Grout when the adhesive has cured.



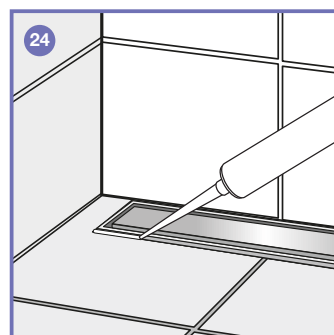
21. Once the grout has cured remove the Tile Guide and drop the frame and grate into position.



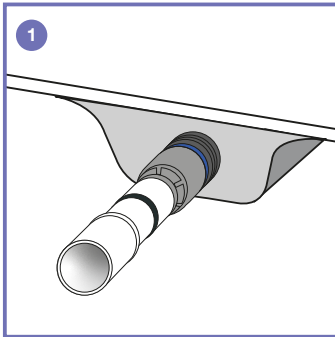
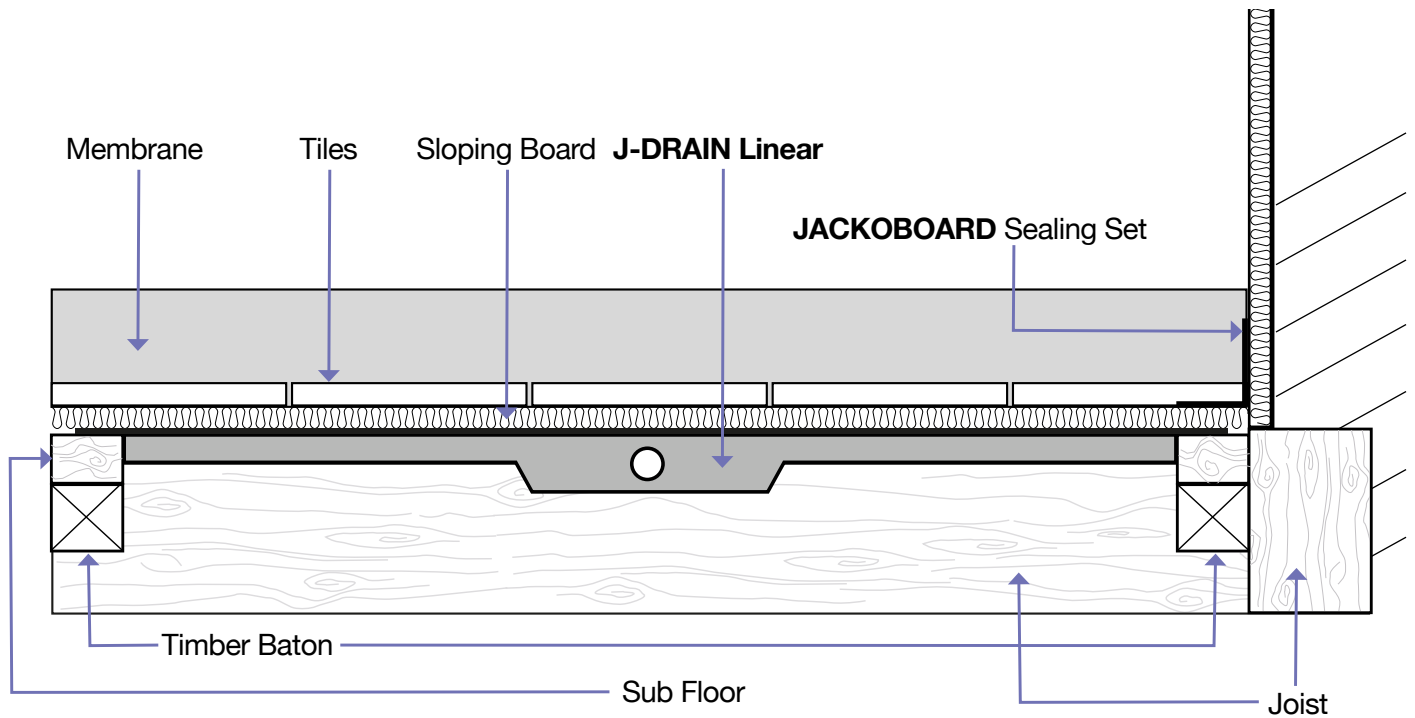
22. Measure the difference in height between the tile grate and the finished tile surface and then calculate the required quantity of riser blocks.



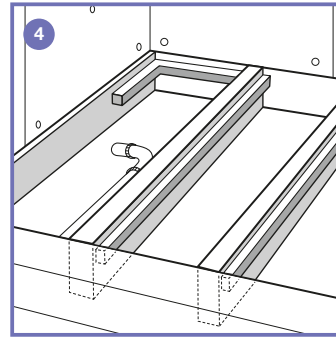
23. Remove the grate and install the riser blocks to bring the grate level with the tiles. Position the grate within the frame.



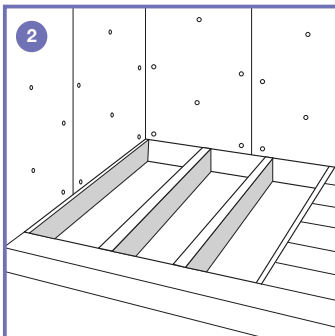
24. Apply a bead of mould resistant silicone sealant to the gap between the grate frame and tiles.



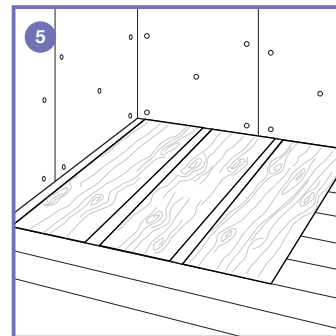
1. Screw the threaded drainage pipe connector to the protruding inner spigot on the drain body.



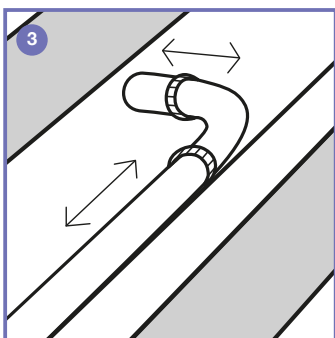
4. Construct a sub-floor between the joists by screw-fixing batons to the sides of the joists



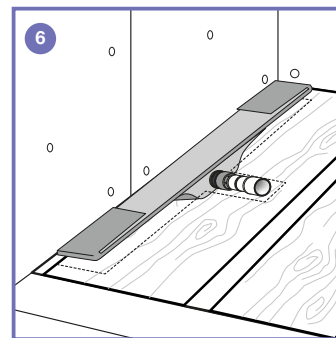
2. Remove the floor boarding in the area where the drain and sloping shower base are to be fitted back to the nearest floor joist.



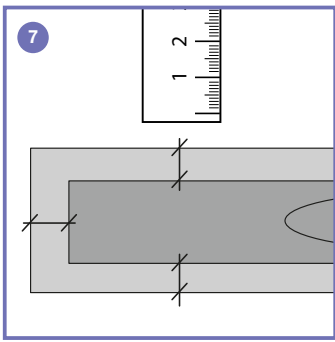
5. Fill the spaces between the joists with, say, 18mm plywood. The top of this sub-floor should be level with the tops of the floor joists. Do not fix permanently! If you plan to overboard the rest of the room with **JACKBOARD Plano** the height of this subfloor will have to be raised accordingly.



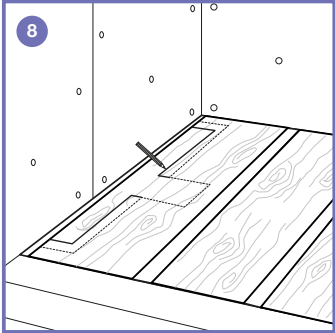
3. Bring a 1.5" drainage pipe through with a 90° elbow connection to the approximate drain connection position. Do not fix permanently to the full outlet run to allow flexibility when connecting to the drain.



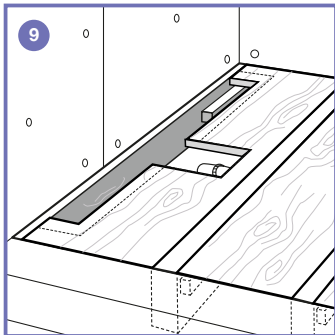
6. Position the drain unit on the sub-floor against the wall and draw a tight line around it and also indicate the position of the drain outlet (80mm wide). Check to ensure the drain will not foul any joists. **\*\*Please see back page for options on positioning of drain relevant to thickness of tile finishes.**



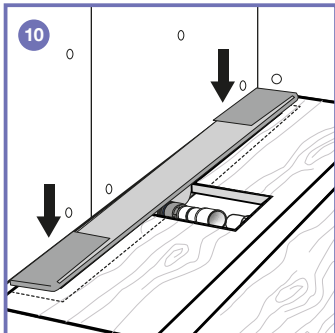
7. Turn the drain unit over and measure the length and width of the inner lower section of the unit (i.e. within the flanges).



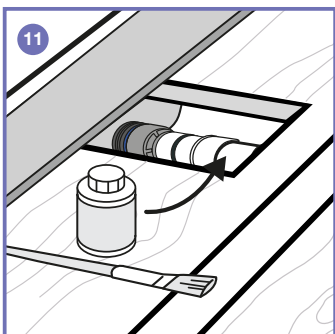
8. Draw this shape onto the sub-floor within the area already indicated (at 6 above). The drain flanges will support the drain on the sub-floor.



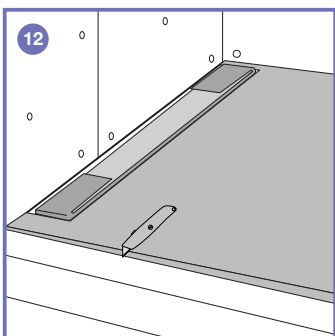
9. Remove the sub-floor and cut out accurately for the inner shape of the drain **and for the outlet** as you have indicated.



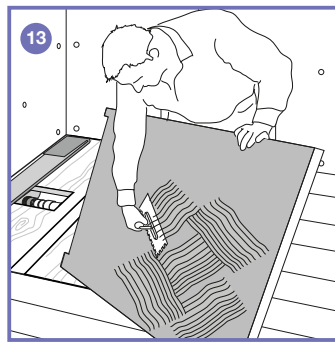
10. Replace the sub-floor in this area. Lay a generous bead of **JACKBOARD Board Fix and Adhesive** on the underside of the drain flange to bond it to the rest of the subfloor and press into place. Place a 10kg weight on the drain equally divided over the length of the drain and allow the adhesive to cure.



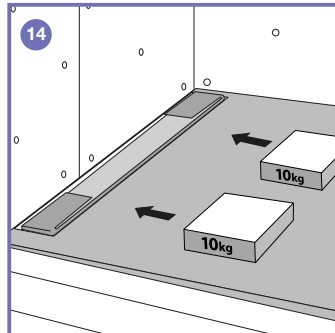
11. Now solvent weld the connector to the outlet pipe (1.5") and then screw fix the subfloor into place.



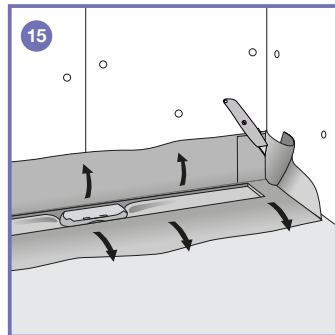
12. Trim the **JACKBOARD Sloping Board** to size so it fits up against the outer edges of the drain body flange. Offer the board up to check for size and position.



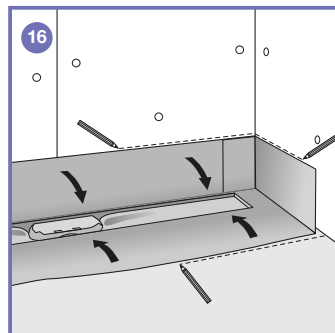
13. Prime the plywood sub-floor with **JACKBOARD Acrylic Primer** (which helps to create a better bond for the cement-based tiling adhesive). Comb out a layer of rapid set cement-based flexible tile adhesive to the underside of the sloping board using a 5mm notched spreader.



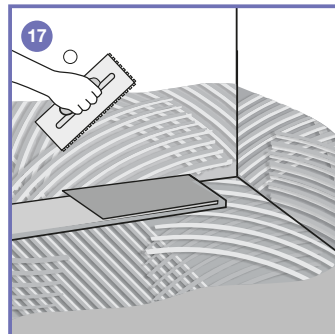
14. Carefully slide the **Sloping Board** up to the drain and press firmly into place. Place 2 x 10kg weights evenly over the sloping board and allow adhesive to cure.



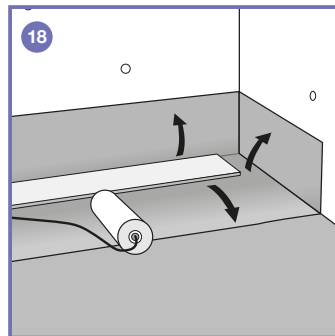
15. Protect the sloping board with a sheet of plywood, for example. Unfold and press out the attached waterproof membrane onto the walls and the sloping board and cut out the corners of the membrane.



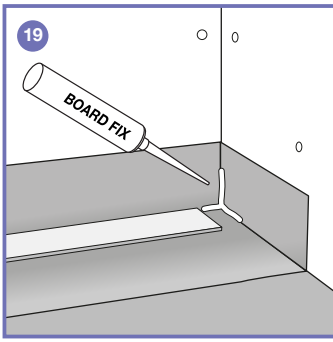
16. Mark the limits of the membrane on the walls and sloping board and fold the membrane back.



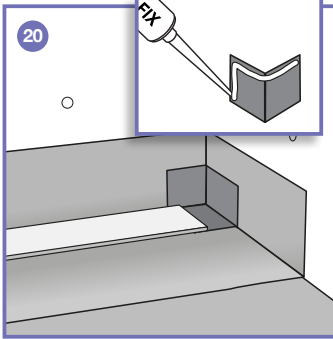
17. Comb out a layer of cement-based single part flexible tile adhesive on the walls and sloping board to the marks you have indicated, filling any voids and maintaining the slope between the sloping board and the drain flange.



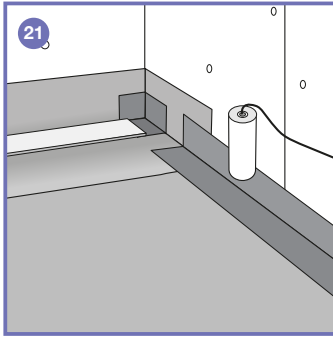
18. Unfold the waterproof membrane and roll it out for a firm adhesion. Place the polystyrene Tile Guide in position to protect the drain body from any debris or adhesive.



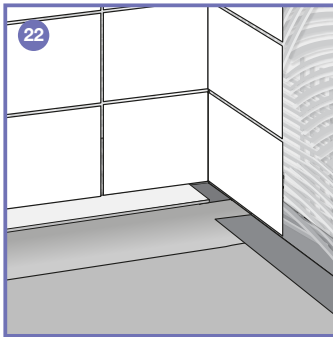
19. Apply **Jacoboard Board Fix Adhesive and Sealing Agent** to the corners of the waterproof membrane.



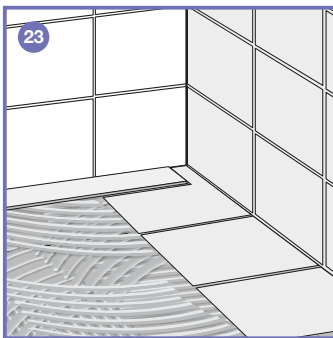
20. Apply Board Fix Adhesive to the backs of the PVC Corner Seals and bond them into position.



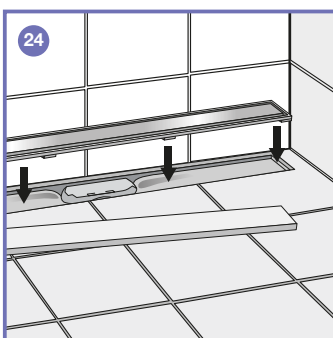
21. It is now vital to seal the rest of the joints between the walls and the sloping board with an appropriate sealing system. This could be the **JACKOBOARD Waterproofing and Sealing Set**, for example.



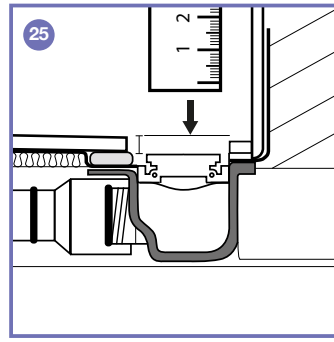
22. Still protecting the Sloping Board with (for example) a sheet of plywood, comb out a layer of cement-based single part flexible tile adhesive onto the surrounding walls and tile and grout the walls down to the sloping board.



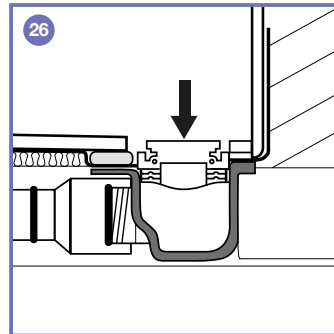
23. Comb out a layer of cement-based single part flexible tile adhesive onto the sloping board with a 5mm notched spreader and install the floor tiles up to, around and against the Tile Guide. Grout the tiles once the adhesive has cured.



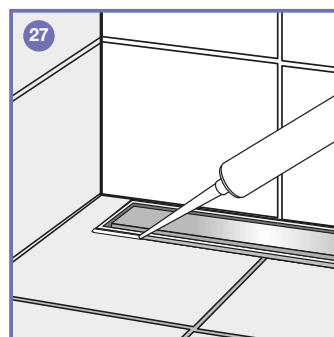
24. Once the grout has cured, remove the Tile Guide and drop the grate and frame into place.



25. Measure the difference in height between the tile grate and the finished tile surface and then calculate the required quantity of riser blocks.



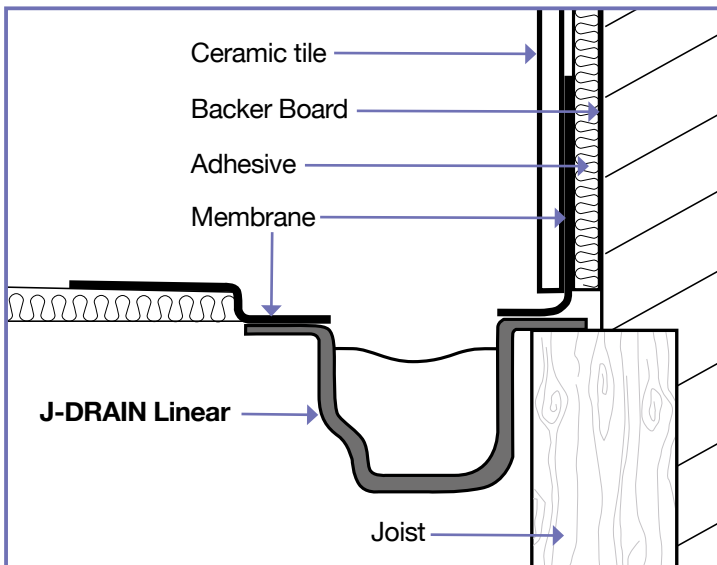
26. Remove the grate and install the riser blocks to bring the grate level with the tiles. Position the grate within the frame.



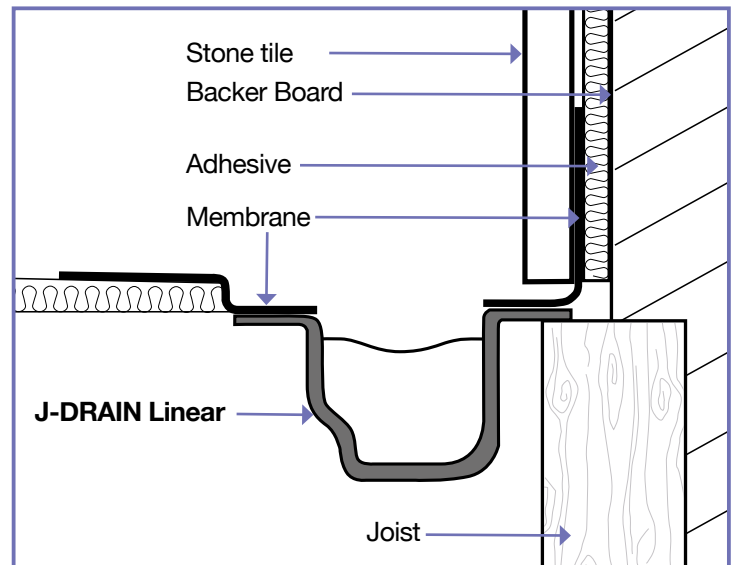
27. Apply a bead of mould resistant silicone sealant to the gap between the grate frame and tiles.

# Drain Positioning

Options on positioning of drain relevant to thickness of tile finishes.



Positioning of drain flange and membrane for **10mm ceramic tile** application.



Positioning of drain flange and membrane for **20mm stone tile** application.

## PLEASE NOTE

- **JACKBOARD** Sloping Boards are in principle suitable for all kinds of ceramic and stone tiles. However, for mosaic tiles less than 25mm square we strongly advise the application of an epoxy resin grout for the floor tile joints.
- Tiles must be fixed using cement-based single part flexible tile adhesive. Ready mixed 'tub' adhesives must not be used.
- The **J-DRAIN Linear** grate may be reversed and tiled to match (or indeed contrast with) the rest of the floor tiling. Again, cement-based single part flexible tile adhesive must be used.
- The grout line around the grate frame should be sealed with a mould resistant flexible sanitary sealant (silicone) and not a cement-based grout.
- The tapering stainless steel Aqua Line Profile is available for the Sloping Board to cover the edge where the Sloping Board meets the surrounding construction board floor.
- If showers are to be wheelchair accessible tiles should be a minimum 50mm square.