

TECHNICAL DATA SHEET

Application and Function:

SBK298-LED is made of 304 stainless steel with brushed and matt.

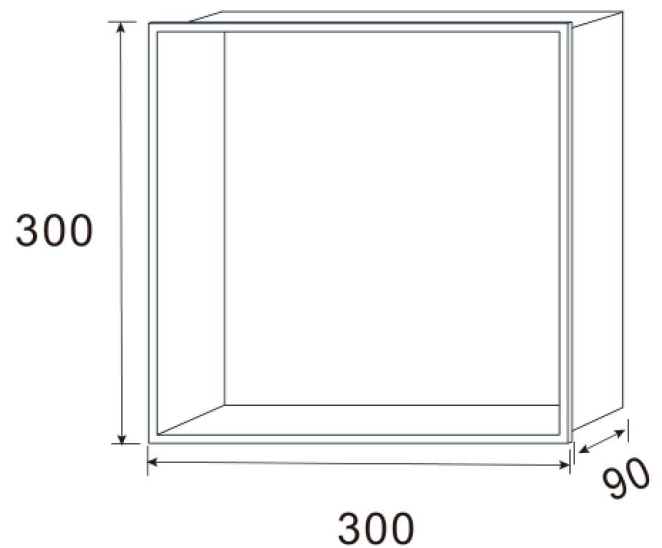
The regular colors with PVD process can be: silver brushed; gold brushed; rose gold brushed; grey brushed; black brushed; matt black with luxury painting.

The size can be customized. Widely used in bathroom decoration and TV background etc.



Installation:

1. According to the size of the drawing, open the wall hole or build the wall hole.
2. Smooth the bottom of the wall hole to ensure that the niche is closely fitted to the wall and installed smoothly.
3. Fill the joint between the niche and the wall with sealant, and immediately remove the residual sealant on the surface and niche.



Material

SBK298-LED are made of Stainless steel 304 with different finishes.

Specification

| Product | Stainless Steel Niches |
|----------------|---|
| Material | Stainless steel Grade 304 |
| Product type | Niches |
| Height | 300 mm |
| Thickness | 1 mm |
| Depth | 90mm |
| Length | 300mm |
| Color | Silver Brushed/Gold Brush/ Grey Brush/Rose Gold Brush/ Matt black |
| Packing | 1 pcs per carton, white box packing |
| Fixing type | tile adhesive |
| Product use | Niches |